



CHUAN LAM PRODUCTION PTE LTD

your one stop furnishing rental
.. furniture . LEDs . carpet . pipes & drapes . staging . landscaping..

12 LOYANG WALK #01-01 SINGAPORE 508795

TEL: +65-6742 9360 HP: +65-8823 4286

Sales@CLProduction.com.sg

REG NO: 201434500K

BAR COUNTERS



Delivery Time/ Rates Per Setup or Teardown

During office hours, Mon to Sat, 9am to 7pm

Setup =10ft truck S\$120 - \$180, 14ft truck S\$ 180 - S\$250, 24ft truck S\$350-\$500, 29ft truck S\$500 - S\$900

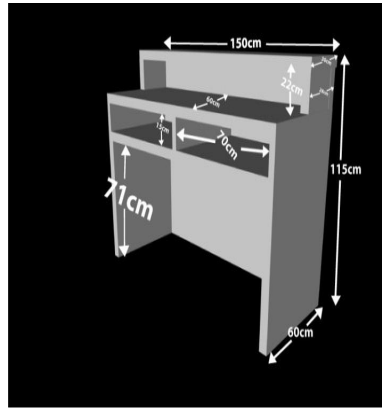
Teardown =10ft truck S\$100 - \$160, 14ft truck S\$150 - S\$220, 24ft truck S\$300-\$450, 29ft truck S\$450 - S\$800

After office hours, Sundays, PH (Public Holiday) and eve of PH

Setup = 10ft truck S\$ 150 - S\$220, 14ft truck S\$ 250 - S\$400, 24ft truck S\$600-\$700, 29ft truck S\$800 - S\$1000

Teardown =10ft truck S\$ 130 - S\$180, 14ft truck S\$ 220 - S\$320, 24ft truck S\$500-\$600, 29ft truck S\$650 - S\$850

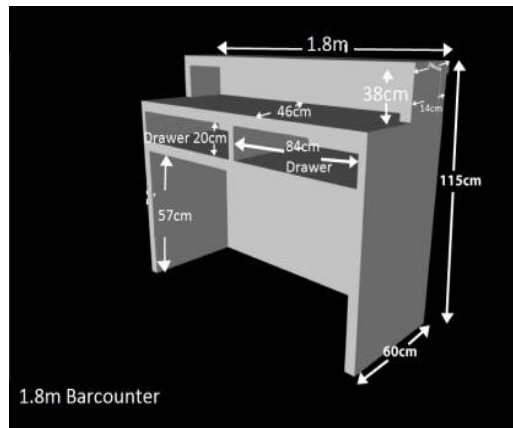
NOTE: Quotes are based on the items enquired. Rental prices may change without prior notice.
Number of rental of days is from SET UP date/ time to TEAR DOWN date/ time. Prices are before GST, Manpower & Delivery Charges. To request for an official quote kindly provide the ff event details:
COMPANY DETAILS | SET UP date & time | TEAR DOWN date & time | VENUE | ITEM CODE & QTY



BCT02
Lighted Bar Counter

ITEM CODE: BCT02 / Lighted Bar Counter
DIMENSION: 1500L mm * 600D mm * 1150H mm
PRINTING AREA: 1450L mm * 1100H mm
SALE PRICE: \$1400 Brand New (lead time 3weeks)
MATERIAL: Acrylic front panel with laminated wooden structure
REMARKS:
INVENTORY: 8 White (4 Warm light / 4 Daylight) / 1 White (No light) / 1 Black
OPTION: To dress up counter into another color \$300

RENTAL PRICE:
**No graphic*
 1 - 3 days : \$250
 4 - 6 days : \$300
 7 - 14 days : \$380
 15 - 30 days : \$500
RENTAL PRICE:
**With graphic*
 1 - 3 days : \$530
 4 - 6 days : \$580
 7 - 14 days : \$660
 15 - 30 days : \$780



BCT04
1.8m Lighted Bar Counter

ITEM CODE: BCT04 / 1.8m Bar Counter
DIMENSION: 1800L mm * 460W mm * 1150H mm
PRINTING AREA: Print area 1100H * 1750L mm
MATERIAL: Acrylic front panel with laminated wooden structure
**with 2 lockable drawers*
REMARKS:
INVENTORY: 1 white
OPTION: To dress up counter into another color \$350

RENTAL PRICE:
**No graphic*
 1 - 3 days : \$300
 4 - 6 days : \$400
 7 - 14 days : \$550
 15 - 30 days : \$680
RENTAL PRICE:
**With graphic*
 1 - 3 days : \$600
 4 - 6 days : \$700
 7 - 14 days : \$850
 15 - 30 days : \$980



BCT05
Lighted Manhattan Bar Counter

ITEM CODE: BCT05 / Lighted Bar Counter

DIMENSION: Rectangle Bar Counter: 1170H mm * 400D mm * 2040L mm
 Corner Triangle Counter: 1170H mm * (3sides L) 670mm each

PRINTING AREA: Rectangle bar counter: 960H mm * 1960L mm
 Corner bar counter: 960H mm * 530L mm

MATERIAL: LED lited glass panel with stainless steel and wooden finishing

REMARKS: * come with GS table with black cover 6ft by 2ft



BCT05-1
Lighted Rectangle Bar Counter

ITEM CODE: BCT05-1 / Lighted Rectangle Bar Counter

DIMENSION: 1170H mm * 400D mm * 2040L mm

PRINTING AREA: 960 mm * 1960 mm

MATERIAL: LED lited glass panel with stainless steel and wooden finishing

REMARKS: *comes with a GS table with black cover 6ft by 2ft

INVENTORY: 14 No Sticker / 1 BLACK Sticker

OPTION: Graphic printing @ \$280

To dress up counter into another color \$300

RENTAL PRICE:

***No graphic**

1 - 3 days : \$350
 4 - 6 days : \$500
 7 - 14 days : \$700
 15 - 30 days : \$900

RENTAL PRICE:

***With graphic**

1 - 3 days : \$630
 4 - 6 days : \$780
 7 - 14 days : \$980
 15 - 30 days : \$1180

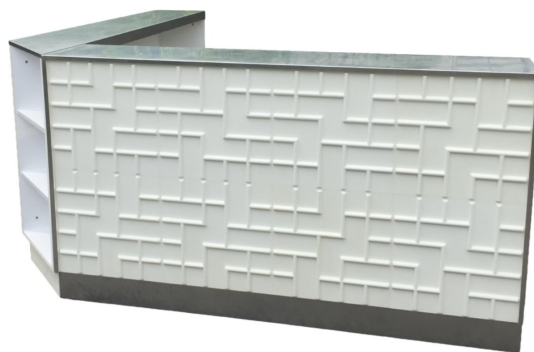


BCT05-2
Lighted Corner Triangle Bar Counter

ITEM CODE: BCT05-2 / Lighted Corner triangle bar counter
DIMENSION: 1170H mm * (3sides L) 670mm each * 480W mm
PRINTING AREA: 960mm * 530mm
MATERIAL: LED lited glass panel with stainless steel and wooden finishing
REMARKS:
INVENTORY: 4 pcs
OPTION: Graphic printing @ \$100

RENTAL PRICE:
 *no graphic
 1 - 3 days : \$80
 4 - 6 days : \$120
 7 - 14 days : \$160
 15 - 30 days : \$220

RENTAL PRICE:
 * With graphic
 1 - 3 days : \$180
 4 - 6 days : \$220
 7 - 14 days : \$260
 15 - 30 days : \$320



BCT05-3
Non-lighted Rectangle Bar Counter

ITEM CODE: BCT05-3 / Non-lighted Rectangle Bar Counter - Cream
DIMENSION: 2040L mm * 400D mm * 1170H mm
MATERIAL: Oriental design formica with stainless steel and wooden finishing
REMARKS: *comes with a GS table with black cover 6ft by 2ft
INVENTORY: 10 pcs

RENTAL PRICE:
 *Non-lighted Rectangle bar counter
 1 - 3 days : \$250
 4 - 6 days : \$350
 7 - 14 days : \$480
 15 - 30 days : \$600



BCT05-4

Non-Lighted Corner Triangle Bar Counter with Shelving

ITEM CODE: BCT05-2 / Non-Lighted Corner triangle bar counter with shelving

DIMENSION: 1170H mm * (3sides L) 670 mm each

MATERIAL: Stainless steel top with wooden base

REMARKS:

INVENTORY: 1 pcs

RENTAL PRICE:

***Non-lighted Triangle counter**

1 - 3 days : \$50

4 - 6 days : \$80

7 - 14 days : \$100

15 - 30 days : \$120



LBC01

LED Plain Corner Bar Counter

ITEM CODE: LBC01 / LED Plain Corner Bar Counter

Modular bar counter with storage underneath.

SALE PRICE: DISPLAY SET ONLY @\$2500 EACH

DIMENSION: 740L mm * 740W mm * 1145H mm

MATERIAL: Waterproof Plastic Material. LED Light. 16 colors flashing, stationary & fading mode Wireless, Precharge 6 hrs, usage 4-5hr in station mode, 2 hr in Flashing mode

REMARKS: Indoor/ Outdoor

INVENTORY: 2pcs

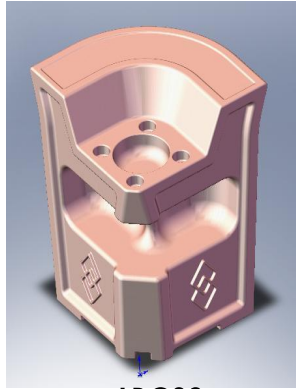
RENTAL PRICE:

1 - 3 days : \$100

4 - 6 days : \$150

7 - 14 days : \$220

15 - 30 days : \$300



LBC02
LED Corner Bar Counter

ITEM CODE: LBC02 / LED Corner Bar Counter

Modular bar counter with storage underneath & bottle holder on top.

SALE PRICE: DISPLAY SET ONLY @ \$2700

DIMENSION: 740L mm * 740W mm * 1145H mm

MATERIAL: Waterproof Plastic Material. LED Light. 16 colors flashing,
stationary & fading mode Wireless,
Precharge 6 hrs, usage 4-5hr in station mode, 2 hr in Flashing mode

REMARKS: Indoor / Outdoor

INVENTORY: 1pc

RENTAL PRICE:

1 - 3 days : \$100

4 - 6 days : \$150

7 - 14 days : \$220

15 - 30 days : \$300



LBC03
LED Modular Bar Counter with ice box

ITEM CODE: LBC03 / LED Modular Bar Counter

Modular bar counter with storage underneath.

SALE PRICE: DISPLAY SET ONLY @\$2700 EACH

DIMENSION: 900L mm * 720W mm * 1120H mm

MATERIAL: Waterproof Plastic Material. LED Light. 16 colors flashing,
stationary & fading mode Wireless,
Precharge 6 hrs, usage 4-5hr in station mode, 2 hr in Flashing mode

REMARKS: Indoor/ Outdoor

INVENTORY: 2pcs

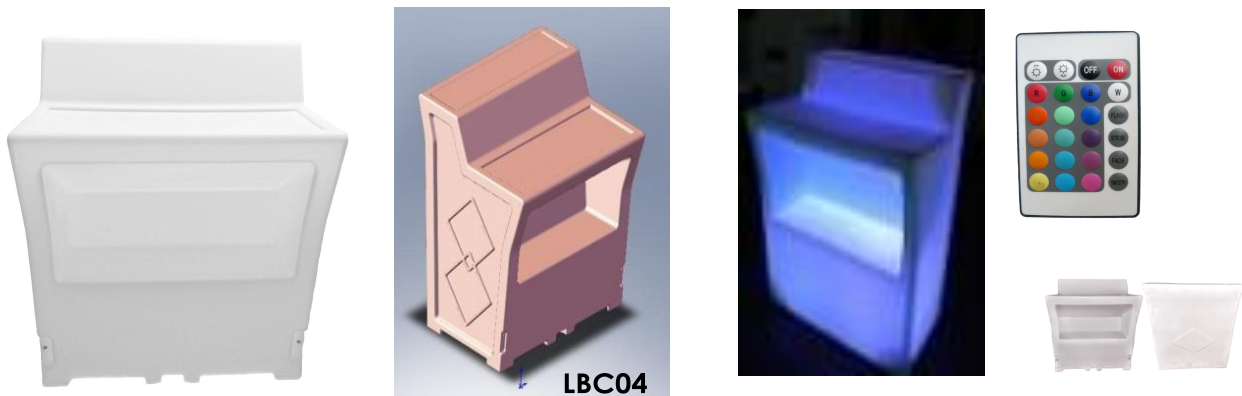
RENTAL PRICE:

1 - 3 days : \$100

4 - 6 days : \$150

7 - 14 days : \$220

15 - 30 days : \$300



LBC04
LED Plain Modular Bar Counter

ITEM CODE: LBC04 / Modular bar counter with storage underneath

SALE PRICE: DISPLAY SET ONLY @ \$2700

DIMENSION: 900L mm * 720W * 1120H mm

MATERIAL: Waterproof Plastic Material. LED Light. 16 colors flashing, stationary & fading mode Wireless, Precharge 6 hrs, usage 4-5hr in station mode, 2 hr in Flashing mode

REMARKS: Indoor / Outdoor

INVENTORY: 2pcs

RENTAL PRICE:

1 - 3 days : \$100
 4 - 6 days : \$150
 7 - 14 days : \$220
 15 - 30 days : \$300



LBC05
LED Corner Circular Bar Counter

ITEM CODE: LBC05 / LED Corner Circular Bar Counter

SALE PRICE: DISPLAY SET ONLY @ \$2700

DIMENSION: 1525L mm * 355D mm * 1060H mm

MATERIAL: Waterproof Plastic Material. LED Light. 16 colors flashing, stationary & fading mode Wireless, Precharge 6 hrs, usage 4-5hr in station mode, 2 hr in Flashing mode

REMARKS: Indoor/ Outdoor

INVENTORY: 8pcs (3 Cream / 5 Off white)

RENTAL PRICE:

1 - 3 days : \$120
 4 - 6 days : \$180
 7 - 14 days : \$250
 15 - 30 days : \$330



LBC06
LED Straight Bar Counter

ITEM CODE: LBC06 / LED Straight Bar Counter

SALE PRICE: DISPLAY SET ONLY @ \$2700

DIMENSION: 1065L mm * 360W mm * 1065H mm

MATERIAL: Waterproof Plastic Material. LED Light. 16 colors flashing,
stationary & fading mode Wireless,
Precharge 6 hrs, usage 4-5hr in station mode, 2 hr in Flashing mode

REMARKS: Indoor / Outdoor

INVENTORY: 10pcs (3 Cream / 6 Off white)

RENTAL PRICE:

1 - 3 days : \$120

4 - 6 days : \$180

7 - 14 days : \$250

15 - 30 days : \$330
